

MagSense 3DTC Traffic Counter

Traffic solutions for cities of tomorrow

MOBILISIS®



Product description

Using a newly patented detection loop consisting of magnetic field sensors, 3DTC Traffic counter opens new possibilities in counting vehicles travelling at speeds of up to 220 km/h, using MagSense products at the speeds up to 220 km/h. 3DTC system consists of the WiGo controller and a sensor bus. Remote sensor software (firmware) upgrade is supported. Each sensor is equipped with a smart failure detection and sensor diagnostic

utility. MagSense is a system that offers high returns on investment (ROI), fast time-to-market, and low total costs of ownership (TCO).



Benefits

- Real time parking information at any time
- Installations in parking garages without closures or delays for customers
- Minimal maintenance costs
- Integration with existing systems like ramps, gates or bollards
- Customer guidance to the nearest unoccupied parking spot using a smartphone app
- Access control for parking facilities
- Traffic monitoring and control

Features

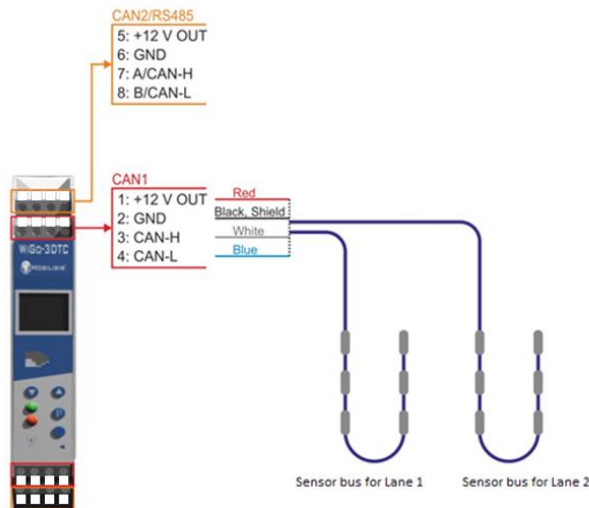
- Fast, accurate and reliable vehicle detection regardless of traffic, weather and surface conditions
- Installations in parking garages without closures or delays for customers
- Easy integration with existing parking systems
- Low power consumption
- Easy to install and maintain due to compact size

Application

- Underground and above ground parking facilities of any size
- Multi-level parking facilities
- Wrong driving direction detection on the roads
- Roundabouts, bridges, tunnels
- Ramps and cross sections
- Access control (private garages, gates or barriers)

System overview

Technical specifications



System power supply	12 - 35 V DC
System power consumption	1,5 W
Communication with sensors	CAN bus, 125 kbps
Detection type	Magnetic field detector
Sensor protection	IP 67
Sensor installation	Embedder into the floor/ground, under the road surface, on the ceiling of the floor below
Snowplow resistant	Yes
Detection accuracy rate	Above 99%
System operating temperature	-20.... +75°C
Traffic lanes	Up to 8 traffic lanes MultiCounter mode
Max sensor per one traffic lane	10
Max cable length	200 m

